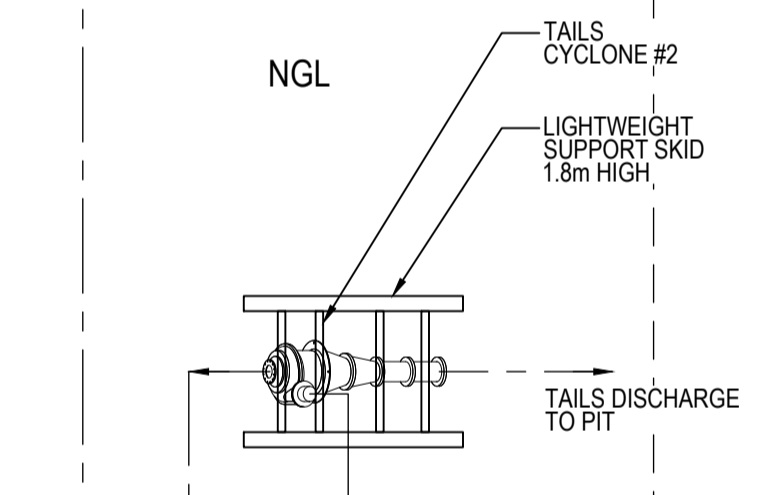


AREA 3130

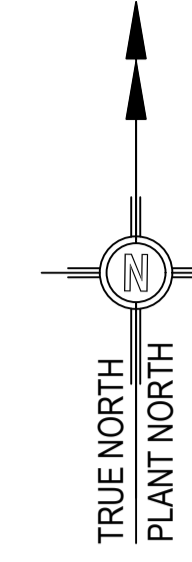
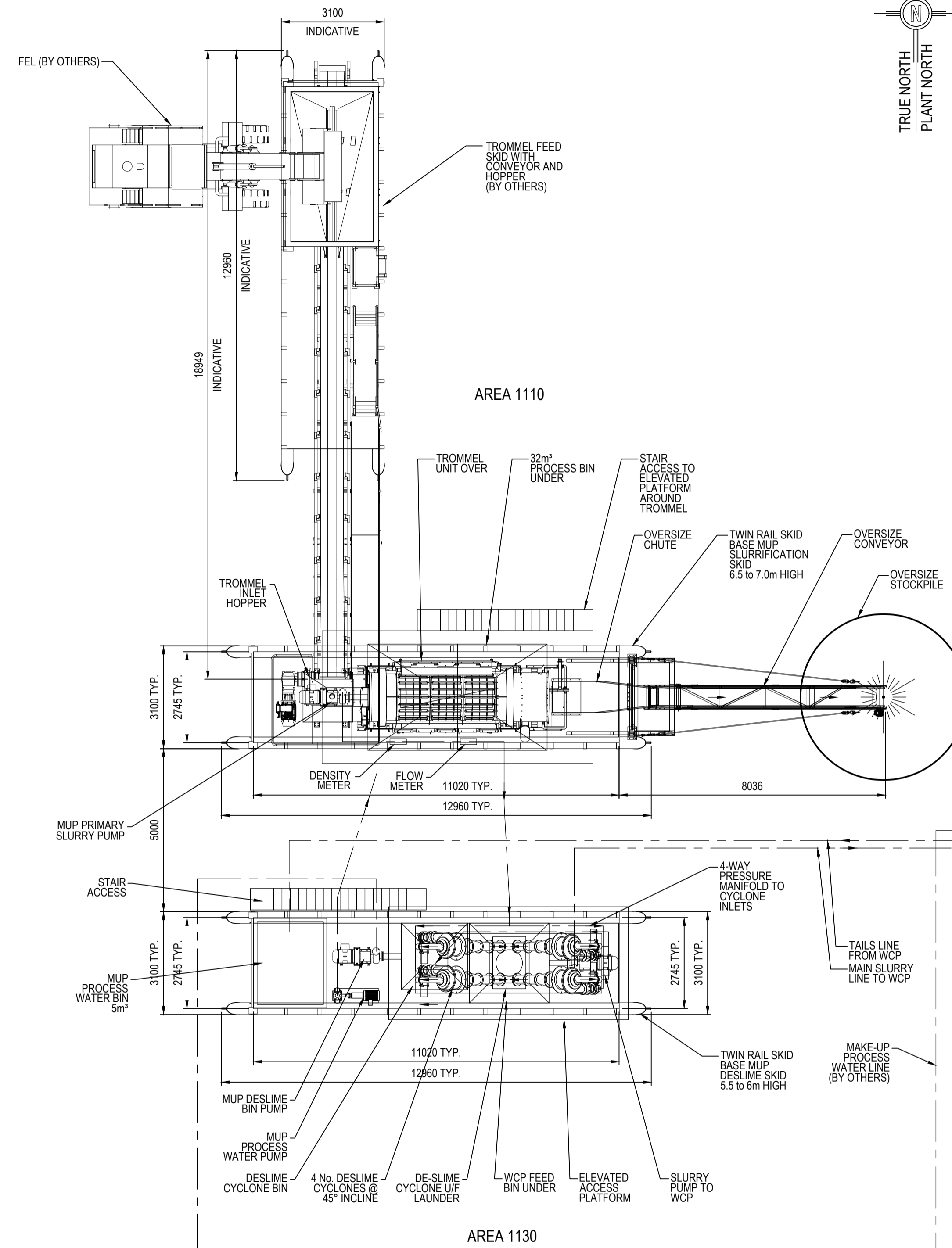
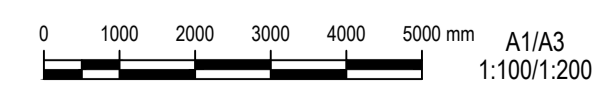


BENCH

PIT

PIT

BENCH



- NOTES:
1. PLANT LAYOUT IS PRELIMINARY PENDING FINAL EQUIPMENT SIZING. TO BE CONFIRMED FOLLOWING RELEASE OF HOLDS, 3D MODELLING AND FURTHER DESIGN REVIEWS.
  2. PIT & MINE DESIGN BY OTHERS. ALL REFERENCES TO PIT AND BENCH IS INDICATIVE.

DO NOT USE FOR CONSTRUCTION OR FABRICATION  
**ISSUED FOR USE**  
 DRAWING IN PROGRESS

REV	DATE	DESCRIPTION	DRN	CHK	APP
C	01.11.22	ISSUED FOR USE	GS	MR	TL
B	28.10.22	FOR INTERNAL REVIEW	GS	SB	MR
A	27.10.22	FOR PRELIMINARY DISCUSSION	GS		

The content of this drawing is the intellectual property of IHC Robbins. It has been supplied on the express understanding that it is not to be used for any purpose, copied and communicated to any other persons without the written permission of IHC Robbins.



Building No.2, 112 Darlington Drive  
 Yatala, QLD, Australia, 4207  
 TEL: (+617) 3376 9777  
 royalihc.com/mining



CLIENT  
 BARRYTOWN JV MINERAL SANDS PROJECT

TITLE  
 MINING UNIT PLANT  
 GENERAL PROCESS INFRASTRUCTURE  
 SITE LAYOUT

DRAWN	GS	DATE	27.10.22	JOB No.	2019	Dimensions - NOT-SET	SCALE	1:100 @ A1
CLIENT DRG No.								
IHC DRG No.	2019-G-LAY-0000-0002							
REV	C							