

## 40,000L DOUBLE SKIN TANK

### COMPLIANCE

- Approved tank design registered with WorkSafe
- Approved tank fabricator registered with WorkSafe

### PAINT

- Sandblasted
- 2K Epoxy primer
- 2K Polyurethane Topcoat
- Colour of your choice

### PUMP OPTIONS

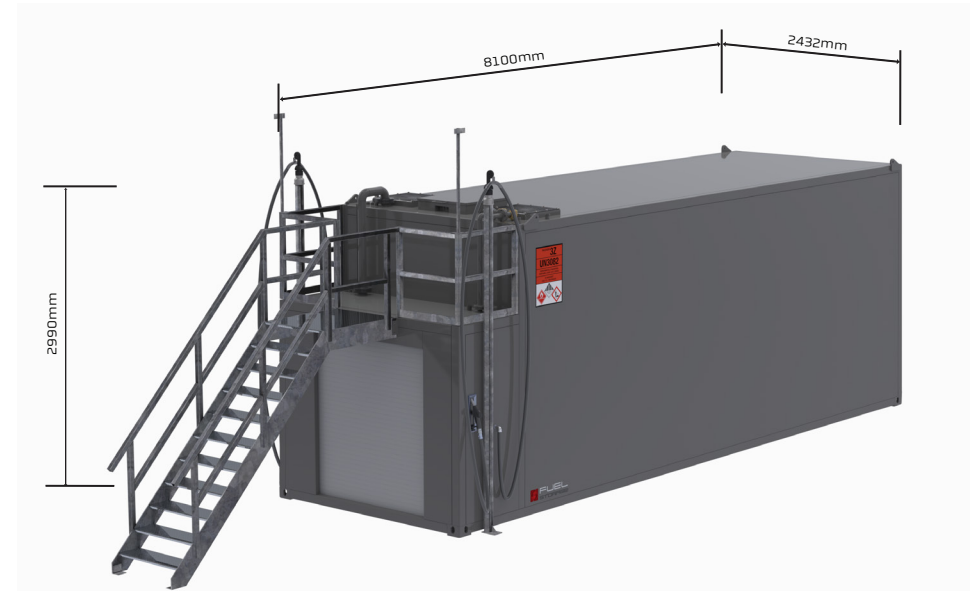
- 230V Standard flow electric pump (approx. 50lpm)
- 230V Hi-flow electric pump (approx. 90lpm)
- Honda WB20 petrol pump
- 12V & 24V options available
- Solar powered options available
- Dual pump options available

### FUEL MANAGEMENT

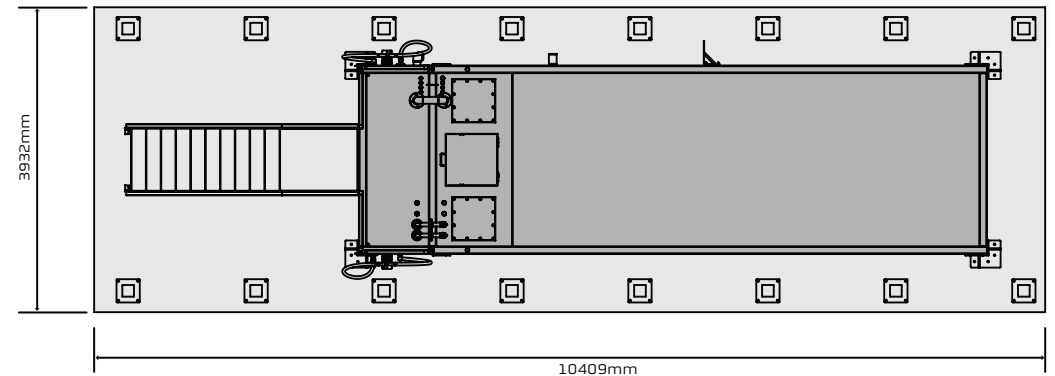
- Everlink Advanced Fuel Management System
- Everlink Lite
- Everlink Micro
- Please get in contact for more info

### EQUIPMENT INCLUDES

- ZVA auto shut off nozzle with built in breakaway
- Donaldson filtration – 10 Micron
- Piusi K44 meter
- Over fill alarm
- Bund alarm
- Hose boom
- 25mm swaged end fuel hose
- Emergency Stop (electric only)
- Anti-Syphon valve
- Dry Break fill coupling
- Dipstick
- Vent
- Hazchem signage
- Lockable pump cabinet and fill dip hatch
- Auxiliary suction and return ports
- Ladder to access dip point



Optional Concrete Pad



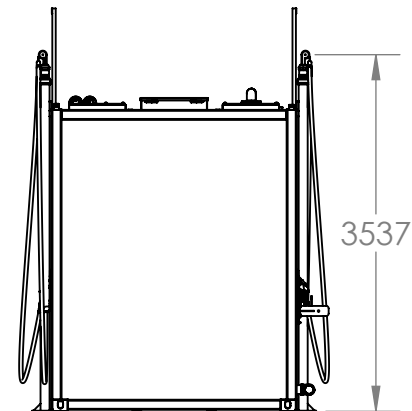
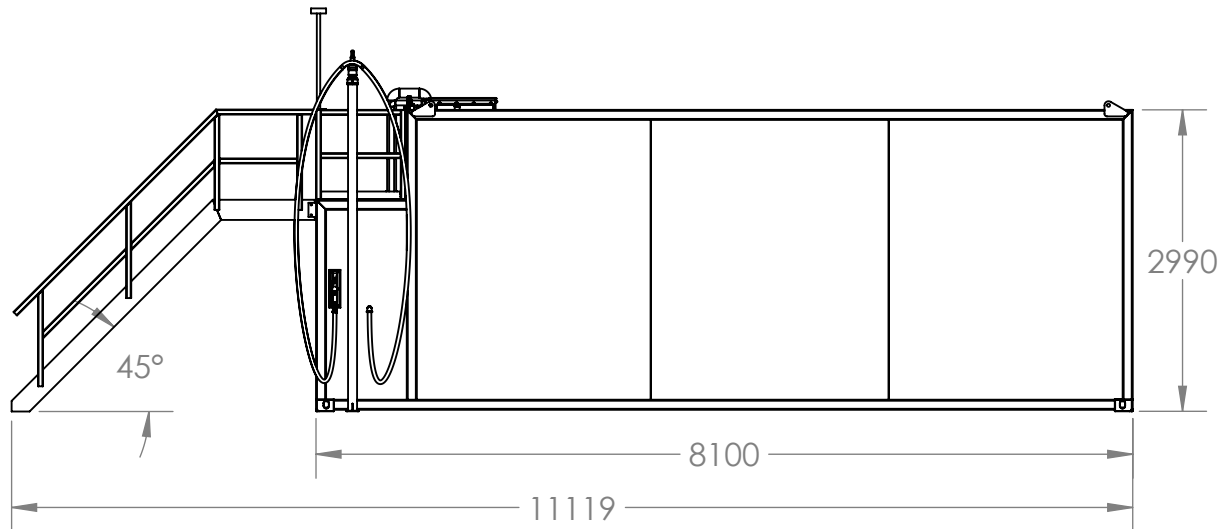
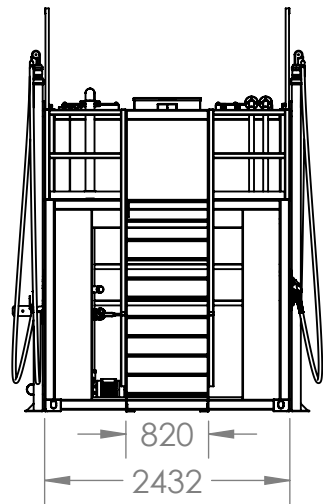
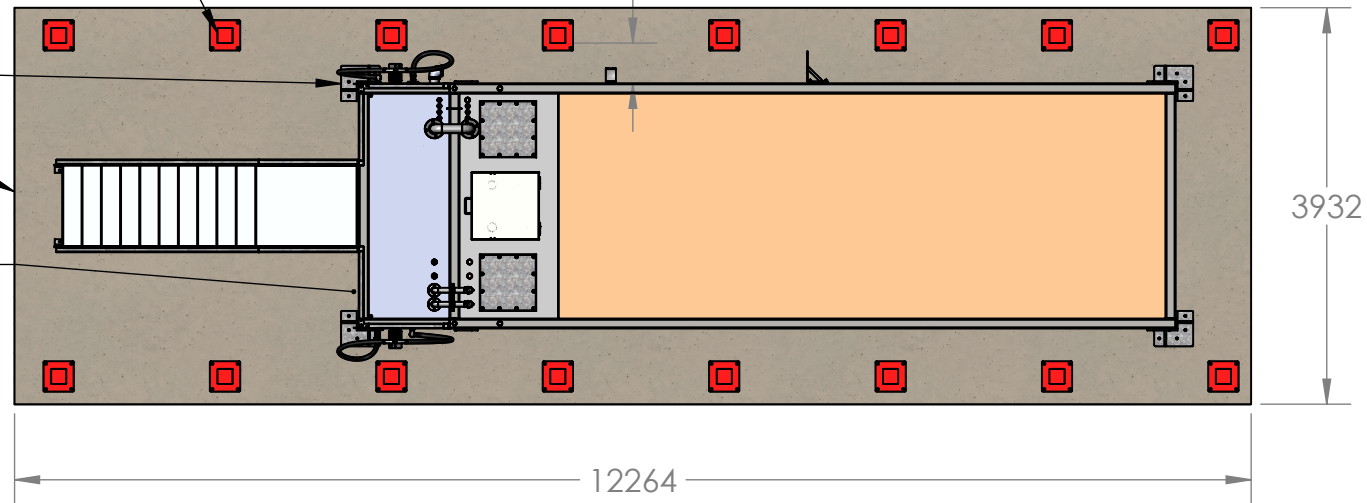
BOLLARDS - MAX 1500MM BETWEEN

MIN 400 BETWEEN TANK AND BOLLARD

SEISMIC RESTRAINTS

CONCRETE PAD  
AS PER FOUNDATION REPORT

POWER CONDUIT LOCATION



NOTES / AMENDMENTS:



DRAWING NO:	FSL 40,000L DS TANK		
SCALE:	1:75	SHEET NO:	1
DIMENSIONS:	MM	ISSUE DATE:	12/10/2020
DRAWN BY:	BAZ		A4