

JUPITER | MANUAL 52AD | STANDARD & ACCESSIBLE DRY VAULT
MITCHELL'S BAY, GREY DISTRICT COUNCIL, NZ



| | | | | |
|---|--|---|---|---|
| exeloo | | New Zealand - Exeloo LTD 20-22 Paramount Drive, Henderson, 0610 PO Box 84-120, Westgate 0657 Auckland, New Zealand T: (0800) 393 566 | Australia - Exeloo PTY 204/25 Berry Street, North Sydney, NSW 2060 PO Box 1412 Wahroonga, NSW 2076 T: (800) 501 069 | USA - Exeloo CORP 1015 Nipomo St, Suite 100, San Luis Obispo, CA 93401 PO Box 13310, San Luis Obispo, CA 93406 T: (800) 676-5290 or 1-800-303-3506 |
| Description: JUPITER MANUAL 52AD STANDARD & ACCESSIBLE DRY VAULT, MITCHELL'S BAY, GREY DISTRICT COUNCIL, NZ | | Proj: | Units: | Rev: 1-A |
| Material: | | Tolerance: | Size: A3 | Rev Date: 8/02/2024 |
| Finish: | | Checked by: | Approved by: | |
| DL | | Drawn by: | Creation Date: 4/09/2019 | Sheet No: 1 / 13 |
| | | Drawing No: AS-JUP52AD-DV-SH6 | | |

SCALE SPECIFIED IN VIEW LABEL

SPECIFICATION SUBJECT TO CHANGE WITHOUT NOTICE

FRONT PERSPECTIVE



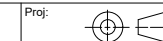
New Zealand - Exeloo LTD
 20-22 Paramount Drive, Henderson, 0610
 PO Box 84-120, Westgate 0657
 Auckland, New Zealand
 T: (0800) 393 566

Australia - Exeloo PTY
 204/25 Berry Street, North Sydney, NSW 2060
 PO Box 1412 Wahroonga, NSW 2076
 T: (800) 501 069

USA - Exeloo CORP
 1015 Nipomo St, Suite 100,
 San Luis Obispo, CA 93401
 PO Box 13310, San Luis Obispo, CA 93406
 T: (800) 676-5290 or 1-800-303-3506

Description:
**JUPITER MANUAL 52AD STANDARD &
 ACCESSIBLE DRY VAULT, MITCHELL'S BAY,
 GREY DISTRICT COUNCIL, NZ**

Material: Finish:



Tolerance: Size:

DL A3

Drawn by: Creation Date:

DL 4/09/2019

Units:

Checked by:

Sheet No:

2 / 13

Rev:

1-A

Approved by:

Drawing No:

AS-JUP52AD-DV-SH6

Rev Date:

8/02/2024

SIDE PERSPECTIVE



| | | | | | |
|---|---------|--|---------------------------------|--|--------------------------------------|
| exeloo New Zealand - Exeloo LTD 20-22 Paramount Drive, Henderson, 0610 PO Box 84-120, Westgate 0657 Auckland, New Zealand T: (0800) 393 566 | | Australia - Exeloo PTY 204/25 Berry Street, North Sydney, NSW 2060 PO Box 1412 Wahroonga, NSW 2076 T: (800) 501 069 | | USA - Exeloo CORP 1015 Nipomo St, Suite 100, San Luis Obispo, CA 93401 PO Box 13310, San Luis Obispo, CA 93406 T: (800) 676-5290 or 1-800-303-3506 | |
| Description: JUPITER MANUAL 52AD STANDARD & ACCESSIBLE DRY VAULT, MITCHELL'S BAY, GREY DISTRICT COUNCIL, NZ | | Proj: | Units: | Rev: 1-A | Rev Date: 8/02/2024 |
| Material: | Finish: | Tolerance: | Size: A3 | Checked by: | Approved by: |
| | | Drawn by: DL | Creation Date: 4/09/2019 | Sheet No: 3 / 13 | Drawing No: AS-JUP52AD-DV-SH6 |

SCALE SPECIFIED IN VIEW LABEL

SPECIFICATION SUBJECT TO CHANGE WITHOUT NOTICE

REAR PERSPECTIVE



New Zealand - Exeloo LTD
 20-22 Paramount Drive, Henderson, 0610
 PO Box 84-120, Westgate 0657
 Auckland, New Zealand
 T: (0800) 393 566

Australia - Exeloo PTY
 204/25 Berry Street, North Sydney, NSW 2060
 PO Box 1412 Wahroonga, NSW 2076
 T: (800) 501 069

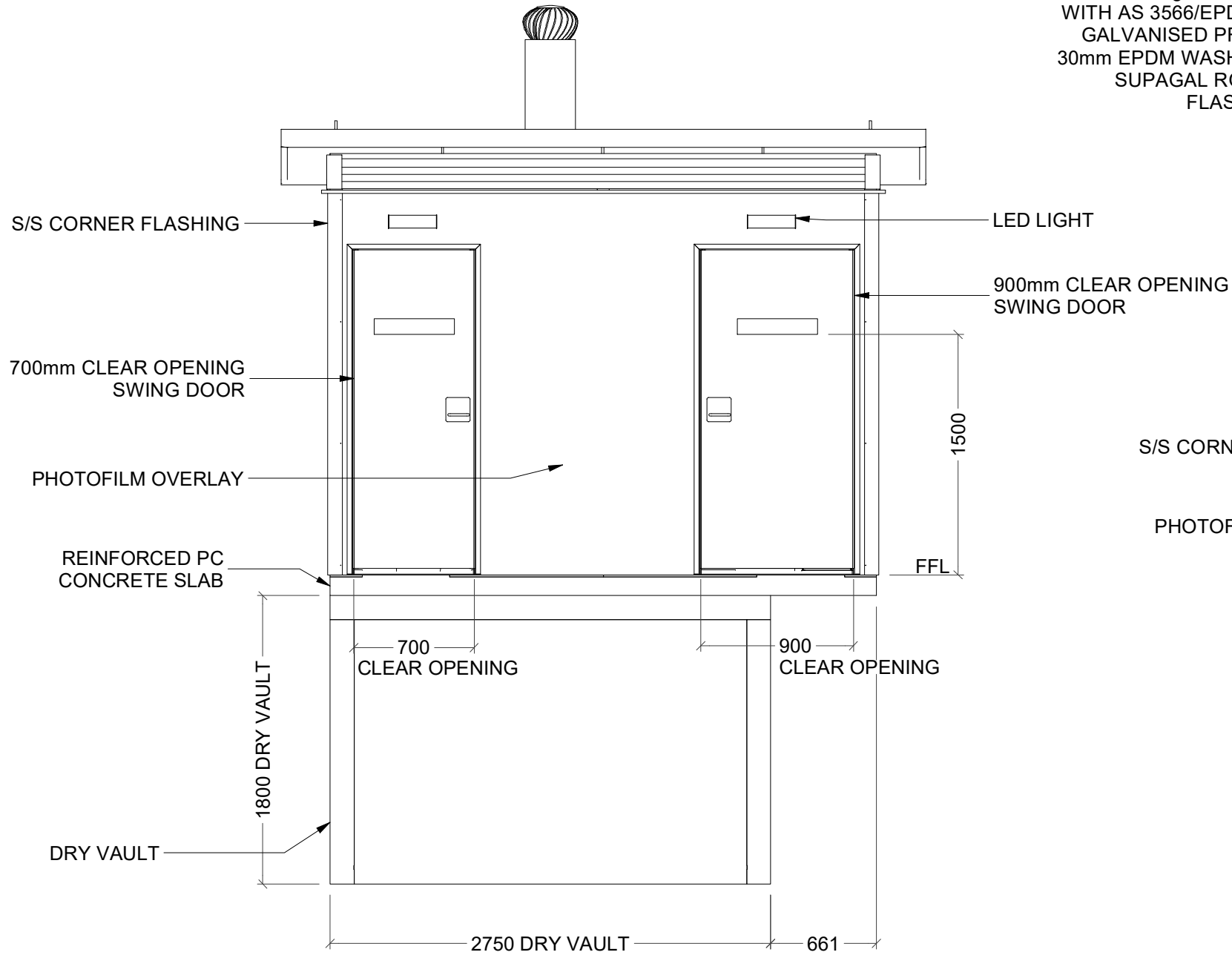
USA - Exeloo CORP
 1015 Nipomo St, Suite 100,
 San Luis Obispo, CA 93401
 PO Box 13310, San Luis Obispo, CA 93406
 T: (800) 676-5290 or 1-800-303-3506

| | | | | | |
|---|-----------------|---------------------|---------------------------------|-------------------------|--------------------------------------|
| Description: JUPITER MANUAL 52AD STANDARD & ACCESSIBLE DRY VAULT, MITCHELL'S BAY, GREY DISTRICT COUNCIL, NZ | | Proj: | Units: | Rev: 1-A | Rev Date: 8/02/2024 |
| Tolerance: | Size: A3 | Checked by: | Approved by: | | |
| Material: | Finish: | Drawn by: DL | Creation Date: 4/09/2019 | Sheet No: 4 / 13 | Drawing No: AS-JUP52AD-DV-SH6 |

SCALE SPECIFIED IN VIEW LABEL

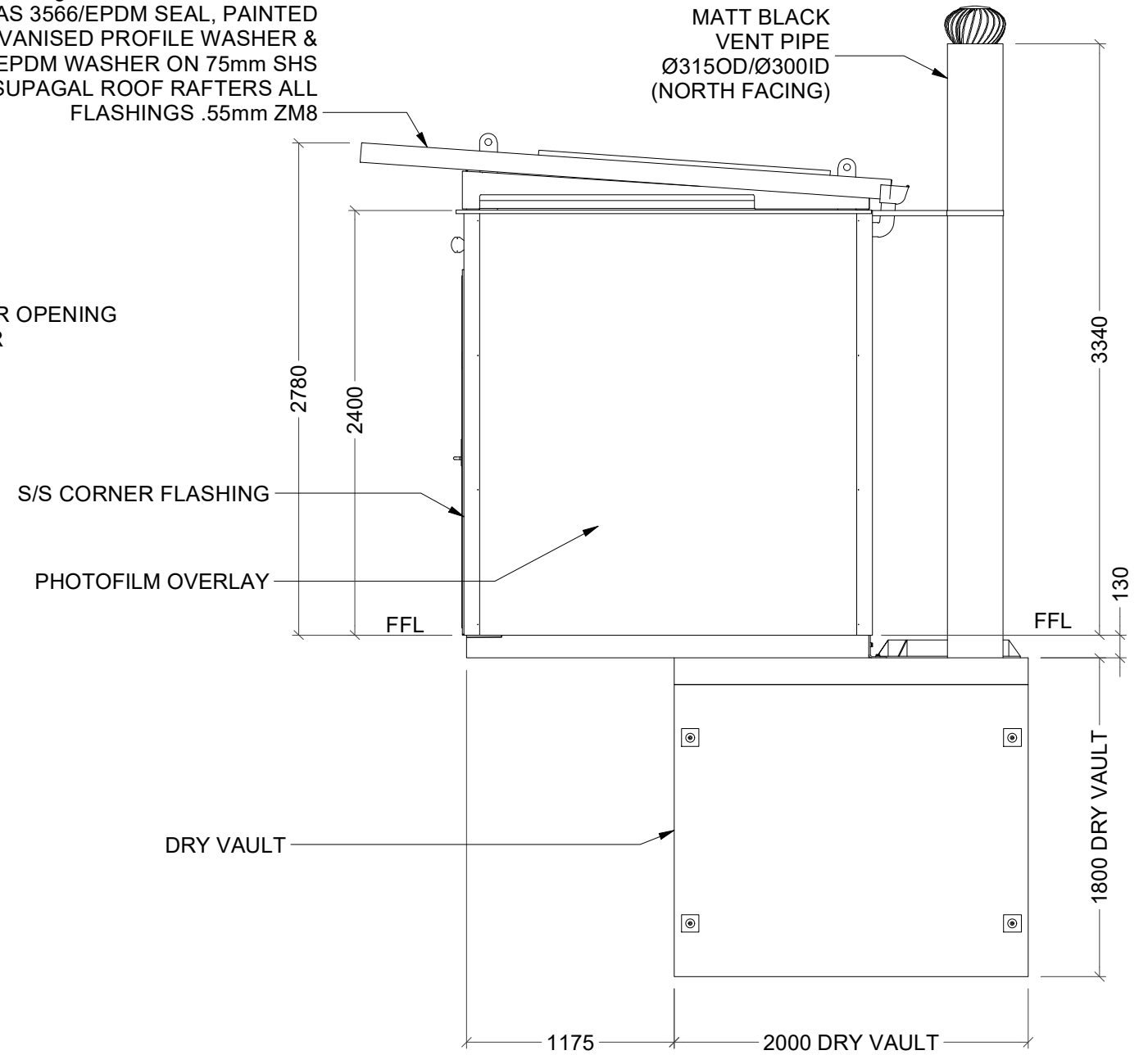
SPECIFICATION SUBJECT TO CHANGE WITHOUT NOTICE

FRONT ELEVATION (1 : 35)



RIGHT ELEVATION (1 : 35)

ROOFING: STRUCTURAL INSULATED
 PANEL FIXED WITH STEEL TITE HWF
 CLASS 5 14g 14x150mm TEK SCREW
 WITH AS 3566/EPDM SEAL, PAINTED
 GALVANISED PROFILE WASHER &
 30mm EPDM WASHER ON 75mm SHS
 SUPAGAL ROOF RAFTERS ALL
 FLASHINGS .55mm ZM8

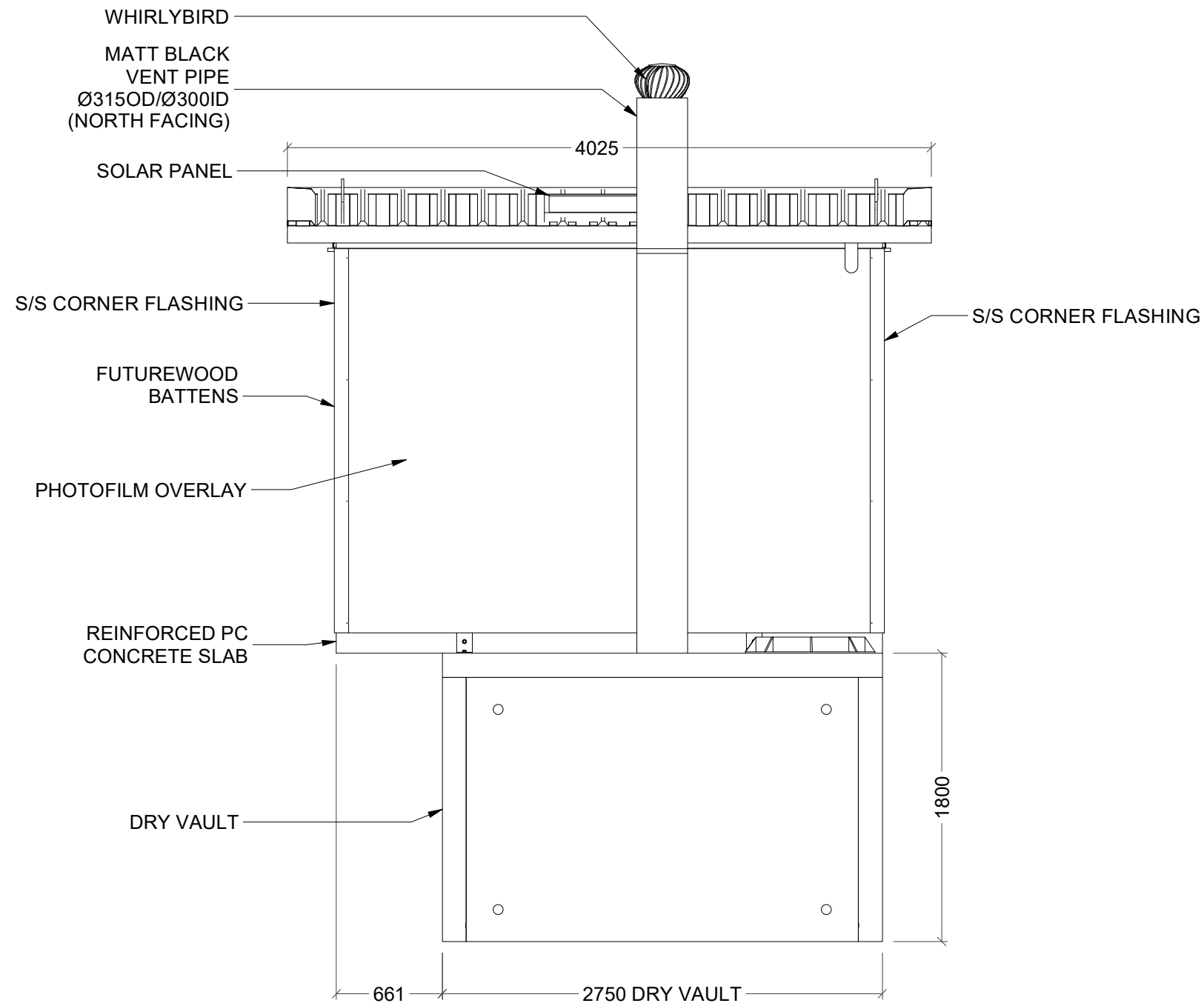


| | | | | | |
|------------|---|---|---|-----------------|----------------------------|
| | New Zealand - Exeloo LTD 20-22 Paramount Drive, Henderson, 0610 PO Box 84-120, Westgate 0657 Auckland, New Zealand T: (0800) 393 566 | Australia - Exeloo PTY 204/25 Berry Street, North Sydney, NSW 2060 PO Box 1412 Wahroonga, NSW 2076 T: (800) 501 069 | USA - Exeloo CORP 1015 Nipomo St, Suite 100, San Luis Obispo, CA 93401 PO Box 13310, San Luis Obispo, CA 93406 T: (800) 676-5290 or 1-800-303-3506 | | |
| | Description: JUPITER MANUAL 52AD STANDARD & ACCESSIBLE DRY VAULT, MITCHELL'S BAY, GREY DISTRICT COUNCIL, NZ | | | | |
| Material: | Finish: | Proj: | Units: | Rev: 1-A | Rev Date: 8/02/2024 |
| Tolerance: | Size: A3 | Drawn by: DL | Creation Date: 4/09/2019 | Checked by: | Approved by: |
| Scale: | Drawing No.: AS-JUP52AD-DV-SH6 | Sheet No.: 5 / 13 | Drawing No.: | Drawing No.: | Drawing No.: |

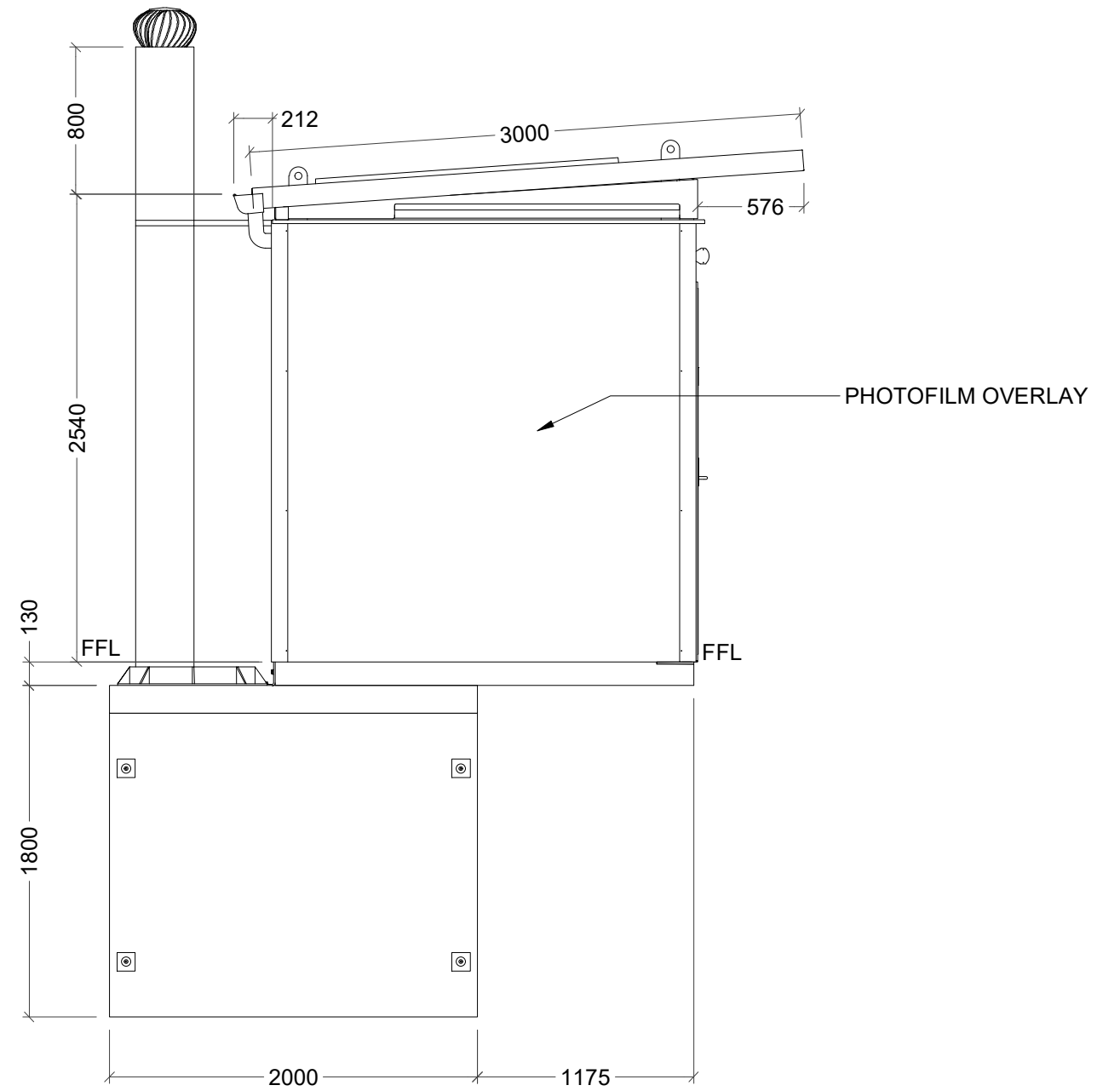
SCALE SPECIFIED IN VIEW LABEL

SPECIFICATION SUBJECT TO CHANGE WITHOUT NOTICE

REAR ELEVATION (1:35)



SIDE ELEVATION (1:35)



New Zealand - Exeloo LTD
 20-22 Paramount Drive, Henderson, 0610
 PO Box 84-120, Westgate 0657
 Auckland, New Zealand
 T: (0800) 393 566

Australia - Exeloo PTY
 204/25 Berry Street, North Sydney, NSW 2060
 PO Box 1412 Wahroonga, NSW 2076
 T: (800) 501 069

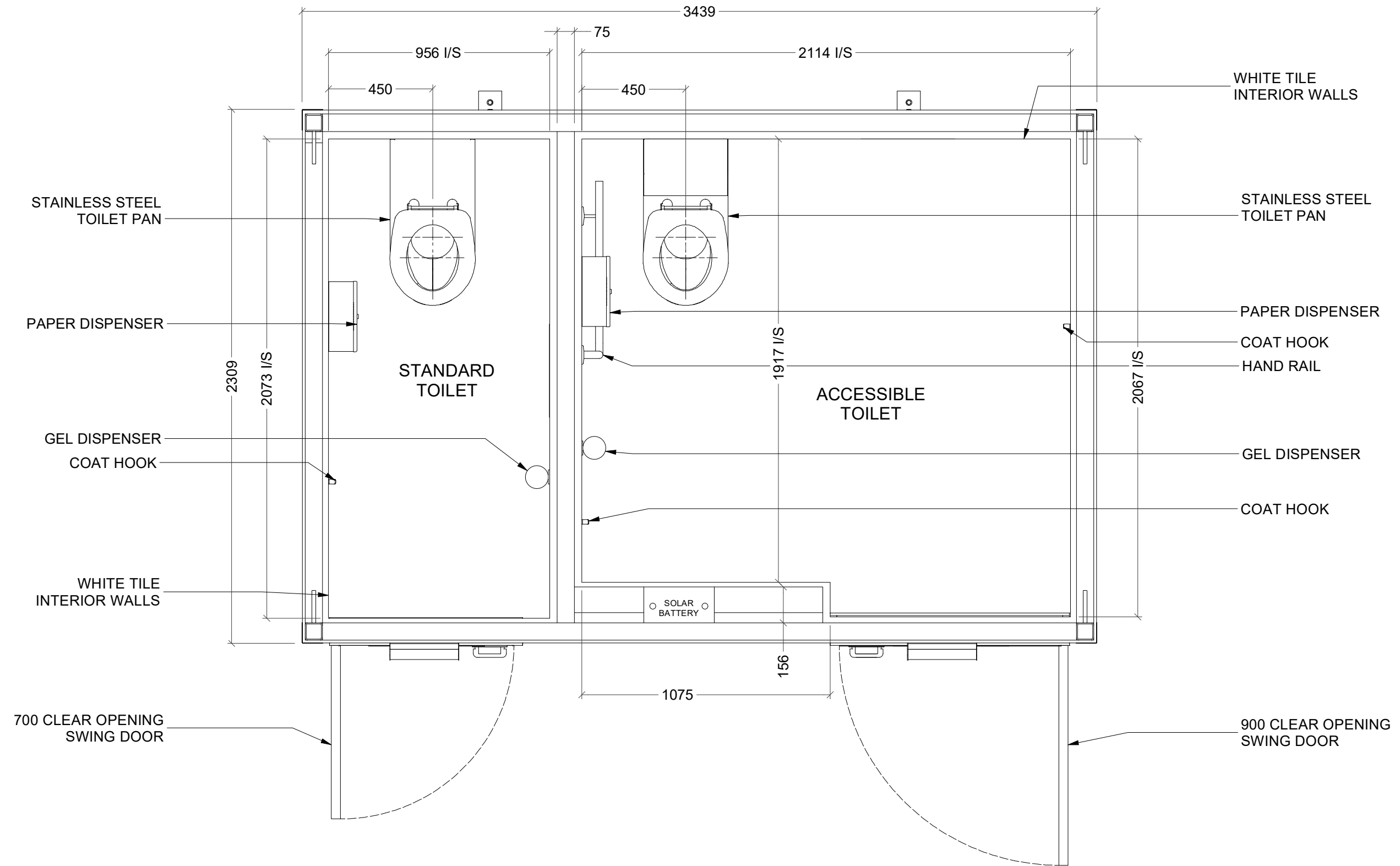
USA - Exeloo CORP
 1015 Nipomo St, Suite 100,
 San Luis Obispo, CA 93401
 PO Box 13310, San Luis Obispo, CA 93406
 T: (800) 676-5290 or 1-800-303-3506

| | | | | | |
|---|--------------------|------------------------|------------------------------------|-----------------------------|--|
| Description: JUPITER MANUAL 52AD STANDARD & ACCESSIBLE DRY VAULT, MITCHELL'S BAY, GREY DISTRICT COUNCIL, NZ | | Proj: | Units: | Rev: 1-A | Rev Date: 8/02/2024 |
| Tolerance: | Size: A3 | Checked by: | Approved by: | | |
| Material: | Finish: | Drawn by: DL | Creation Date: 4/09/2019 | Sheet No.: 6 / 13 | Drawing No.: AS-JUP52AD-DV-SH6 |

SCALE SPECIFIED IN VIEW LABEL

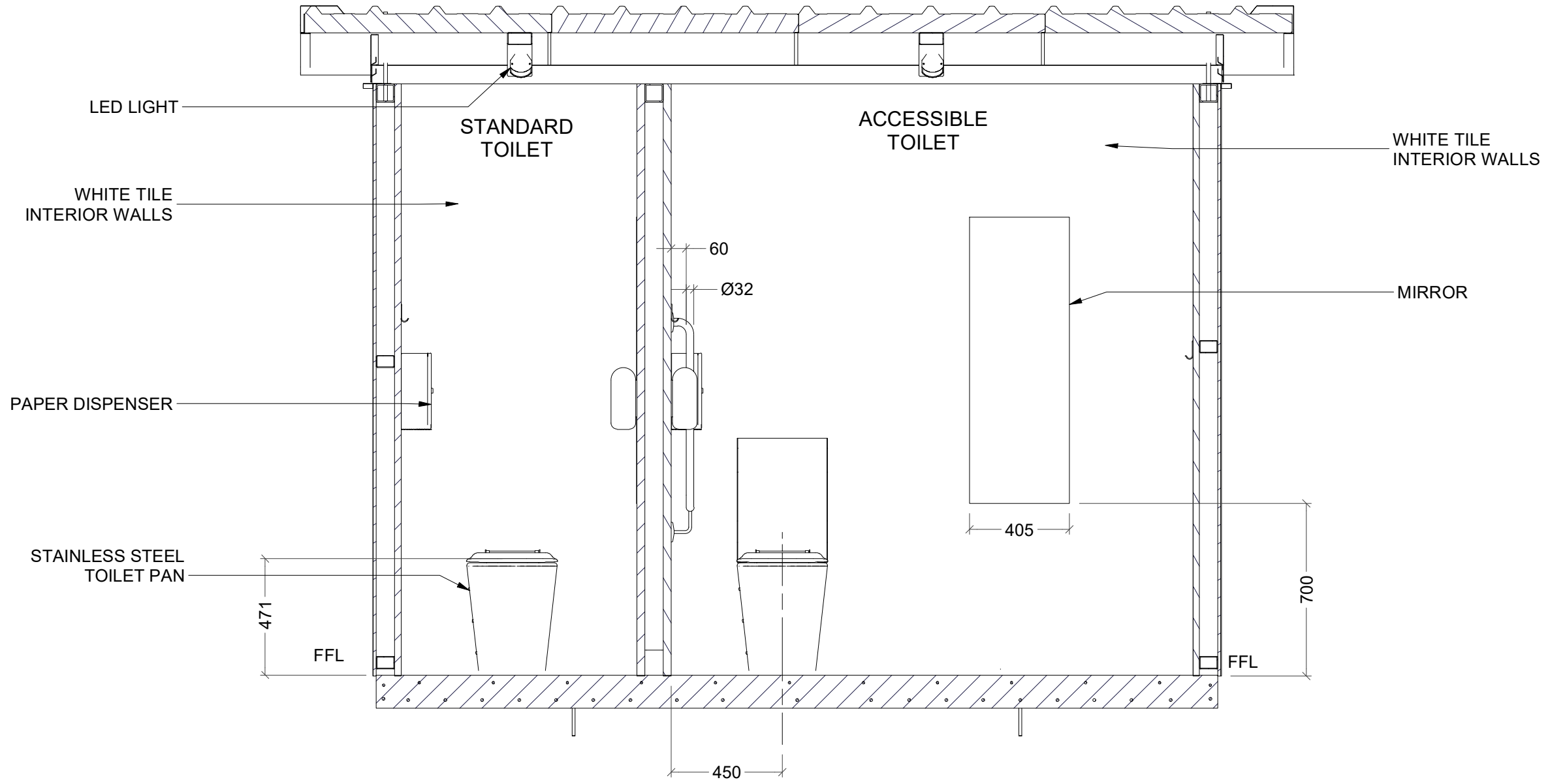
SPECIFICATION SUBJECT TO CHANGE WITHOUT NOTICE

FLOOR PLAN

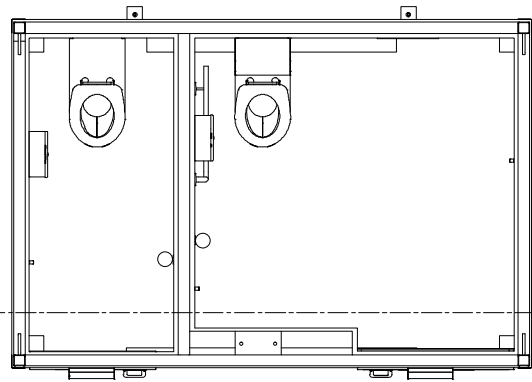


| | | | | | |
|---|--|---|---|---|--------------------------------------|
| | | New Zealand - Exeloo LTD 20-22 Paramount Drive, Henderson, 0610 PO Box 84-120, Westgate 0657 Auckland, New Zealand T: (0800) 393 566 | Australia - Exeloo PTY 204/25 Berry Street, North Sydney, NSW 2060 PO Box 1412 Wahroonga, NSW 2076 T: (800) 501 069 | USA - Exeloo CORP 1015 Nipomo St, Suite 100, San Luis Obispo, CA 93401 PO Box 13310, San Luis Obispo, CA 93406 T: (800) 676-5290 or 1-800-303-3506 | |
| Description: JUPITER MANUAL 52AD STANDARD & ACCESSIBLE DRY VAULT, MITCHELL'S BAY, GREY DISTRICT COUNCIL, NZ | | Proj: | Units: | Rev: 1-A | Rev Date: 8/02/2024 |
| Material: | | Tolerance: | Size: A3 | Checked by: | Approved by: |
| Finish: | | Drawn by: DL | Creation Date: 4/09/2019 | Sheet No: 7 / 13 | Drawing No: AS-JUP52AD-DV-SH6 |
| SCALE SPECIFIED IN VIEW LABEL | | SPECIFICATION SUBJECT TO CHANGE WITHOUT NOTICE | | | |

A-A (1 : 20)



PLAN



A

A



New Zealand - Exeloo LTD
 20-22 Paramount Drive, Henderson, 0610
 PO Box 84-120, Westgate 0657
 Auckland, New Zealand
 T: (0800) 393 566

Australia - Exeloo PTY
 204/25 Berry Street, North Sydney, NSW 2060
 PO Box 1412 Wahroonga, NSW 2076
 T: (800) 501 069

USA - Exeloo CORP
 1015 Nipomo St, Suite 100,
 San Luis Obispo, CA 93401
 PO Box 13310, San Luis Obispo, CA 93406
 T: (800) 676-5290 or 1-800-303-3506

Description:
**JUPITER MANUAL 52AD STANDARD &
 ACCESSIBLE DRY VAULT, MITCHELL'S BAY,
 GREY DISTRICT COUNCIL, NZ**

Material: Finish:

Proj:

Tolerance: Size:

DL A3

Drawn by: Creation Date:

DL 4/09/2019

Units:

Checked by:

Sheet No:

8 / 13

Rev:

1-A

Approved by:

Drawing No:

AS-JUP52AD-DV-SH6

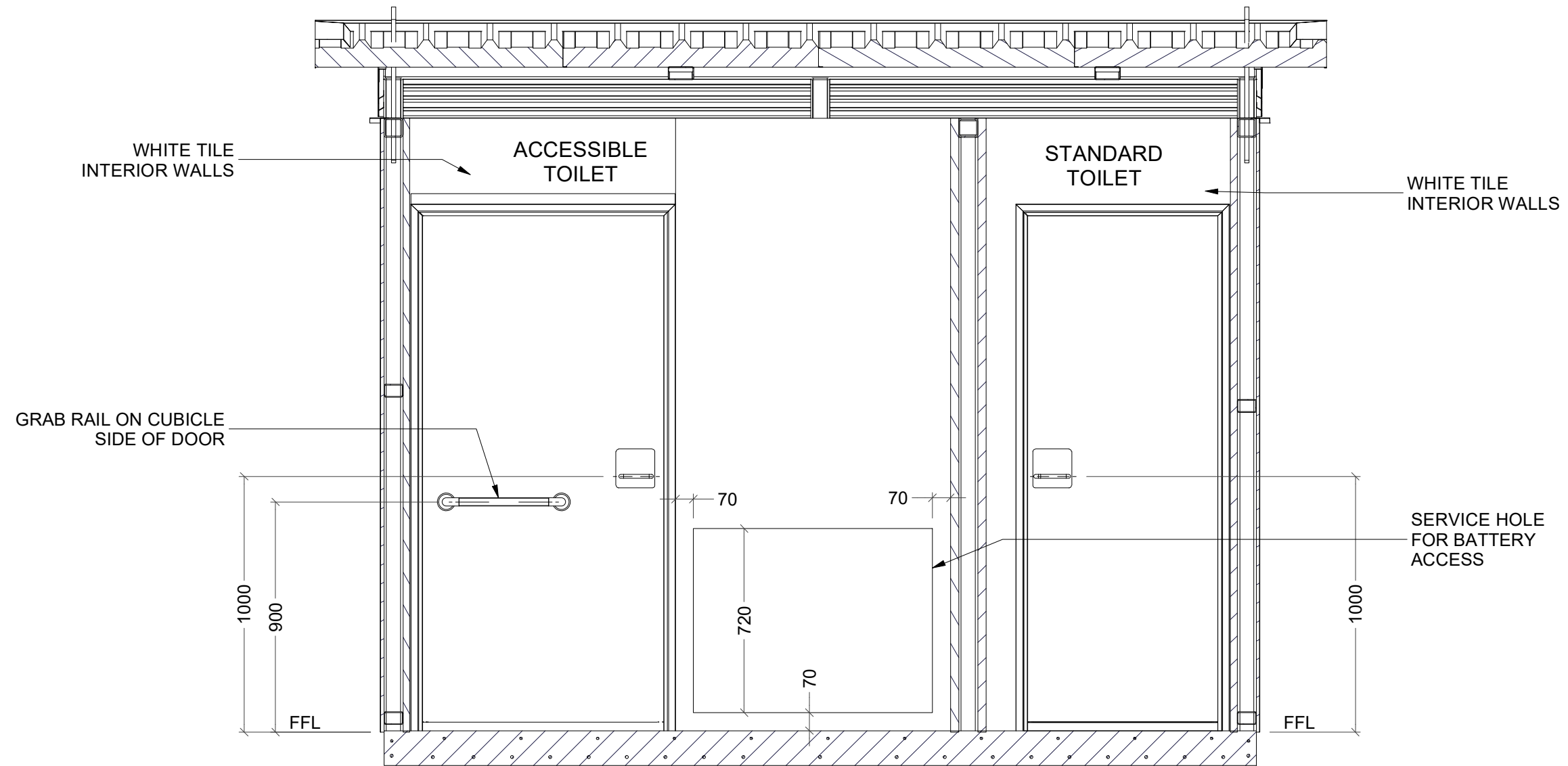
Rev Date:

8/02/2024

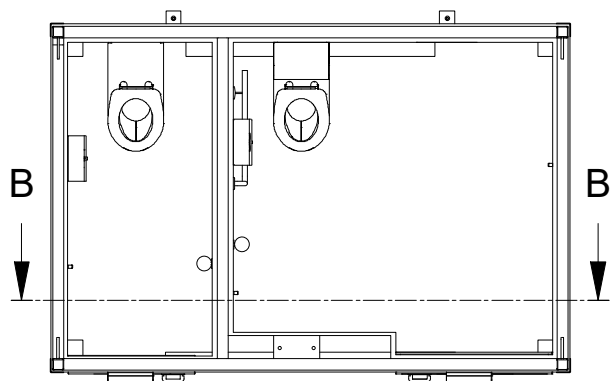
SCALE SPECIFIED IN VIEW LABEL

SPECIFICATION SUBJECT TO CHANGE WITHOUT NOTICE

B-B (1 : 20)



PLAN



New Zealand - Exeloo LTD
 20-22 Paramount Drive, Henderson, 0610
 PO Box 84-120, Westgate 0657
 Auckland, New Zealand
 T: (0800) 393 566

Australia - Exeloo PTY
 204/25 Berry Street, North Sydney, NSW 2060
 PO Box 1412 Wahroonga, NSW 2076
 T: (800) 501 069

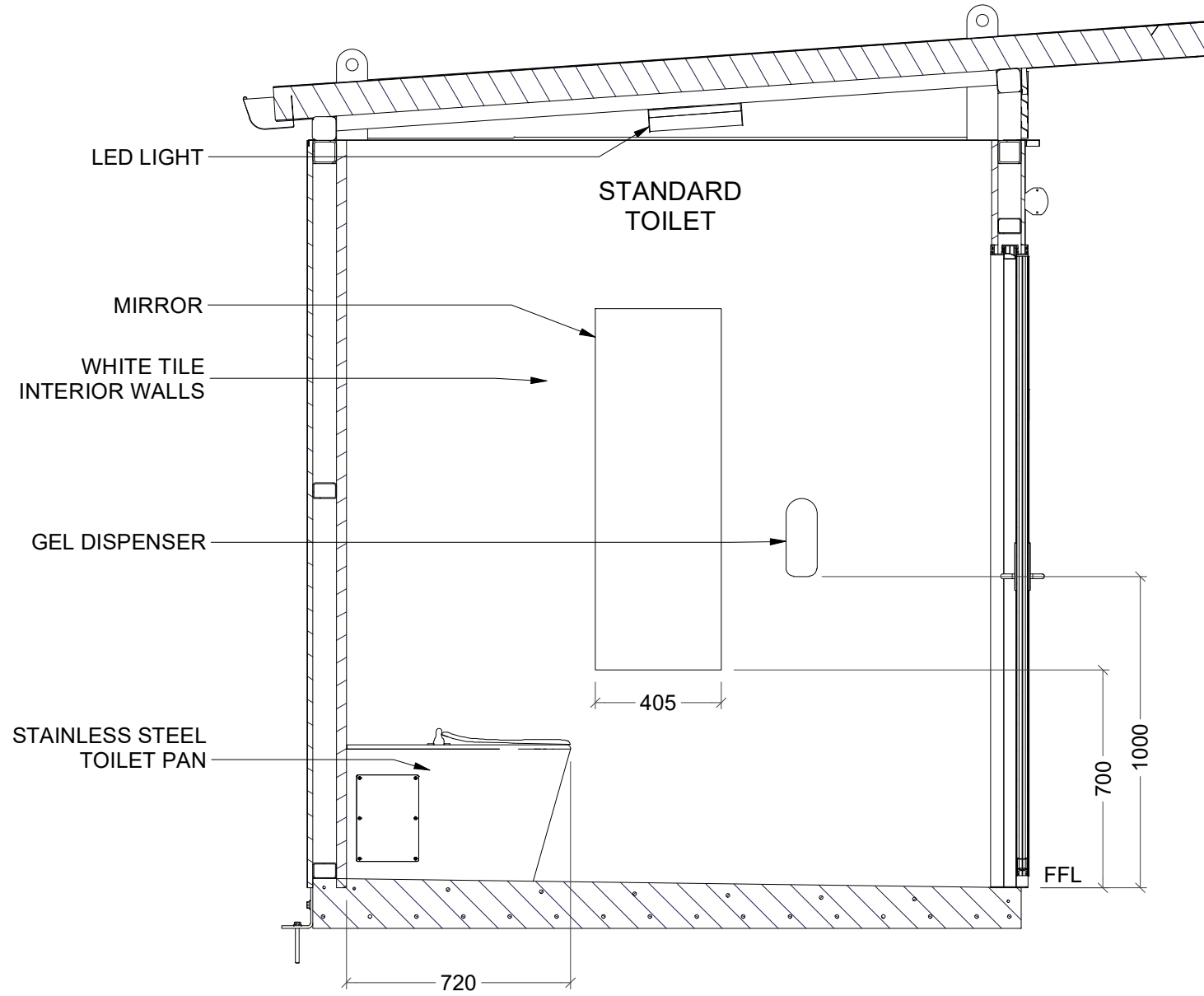
USA - Exeloo CORP
 1015 Nipomo St, Suite 100,
 San Luis Obispo, CA 93401
 PO Box 13310, San Luis Obispo, CA 93406
 T: (800) 676-5290 or 1-800-303-3506

| | | | | | |
|---|-----------------|---------------------|---------------------------------|-------------------------|--------------------------------------|
| Description: JUPITER MANUAL 52AD STANDARD & ACCESSIBLE DRY VAULT, MITCHELL'S BAY, GREY DISTRICT COUNCIL, NZ | | Proj: | Units: | Rev: 1-A | Rev Date: 8/02/2024 |
| Tolerance: | Size: A3 | Checked by: | Approved by: | | |
| Material: | Finish: | Drawn by: DL | Creation Date: 4/09/2019 | Sheet No: 9 / 13 | Drawing No: AS-JUP52AD-DV-SH6 |

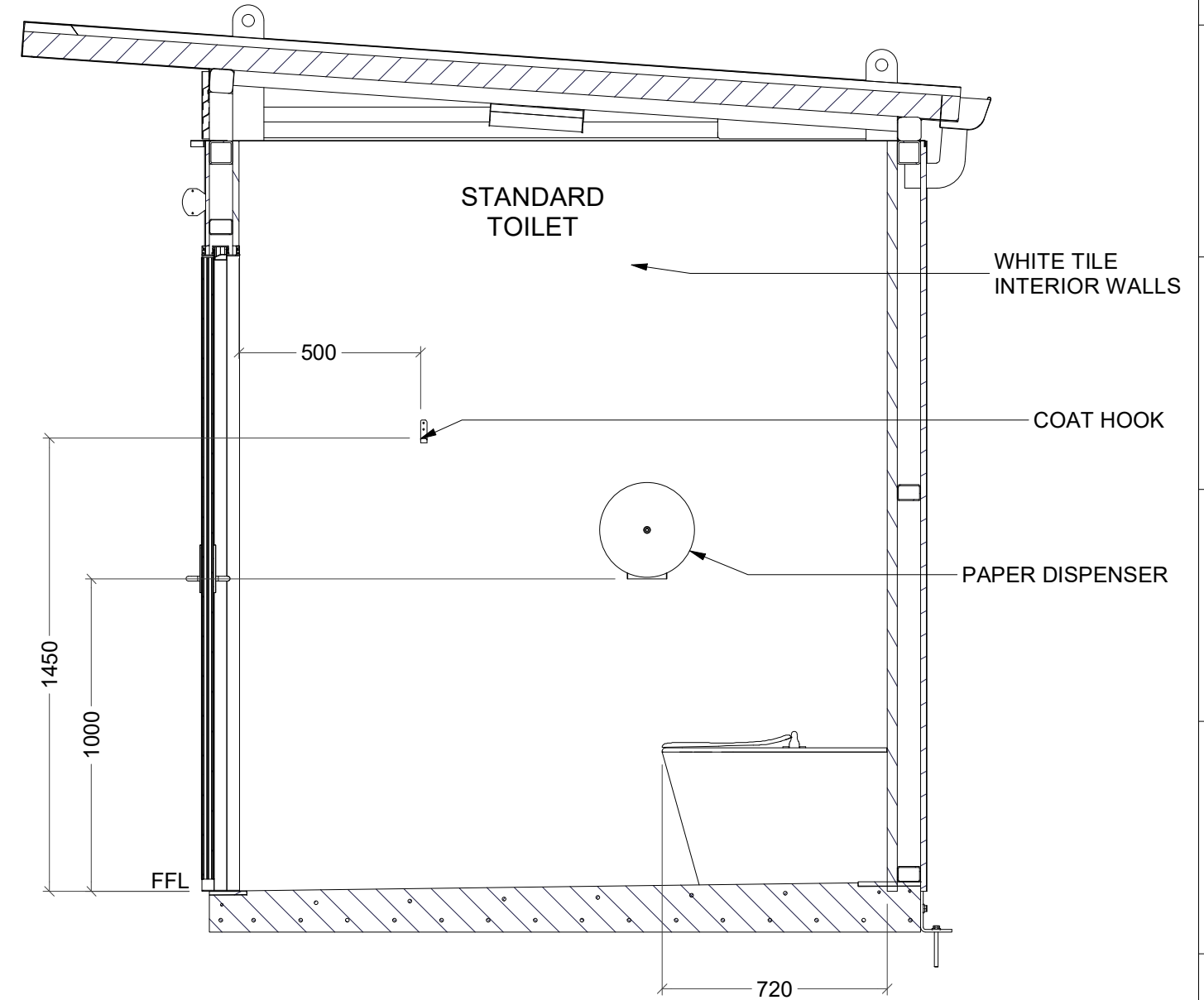
SCALE SPECIFIED IN VIEW LABEL

SPECIFICATION SUBJECT TO CHANGE WITHOUT NOTICE

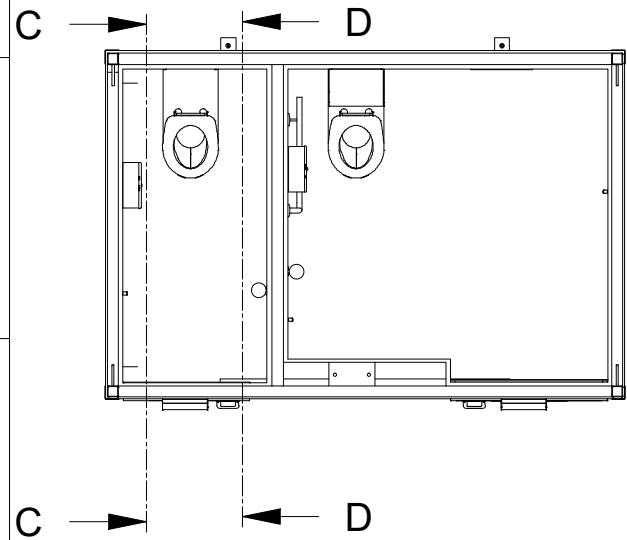
C-C (1 : 20)



D-D (1 : 20)



PLAN



New Zealand - Exeloo LTD
 20-22 Paramount Drive, Henderson, 0610
 PO Box 84-120, Westgate 0657
 Auckland, New Zealand
 T: (0800) 393 566

Australia - Exeloo PTY
 204/25 Berry Street, North Sydney, NSW 2060
 PO Box 1412 Wahroonga, NSW 2076
 T: (800) 501 069

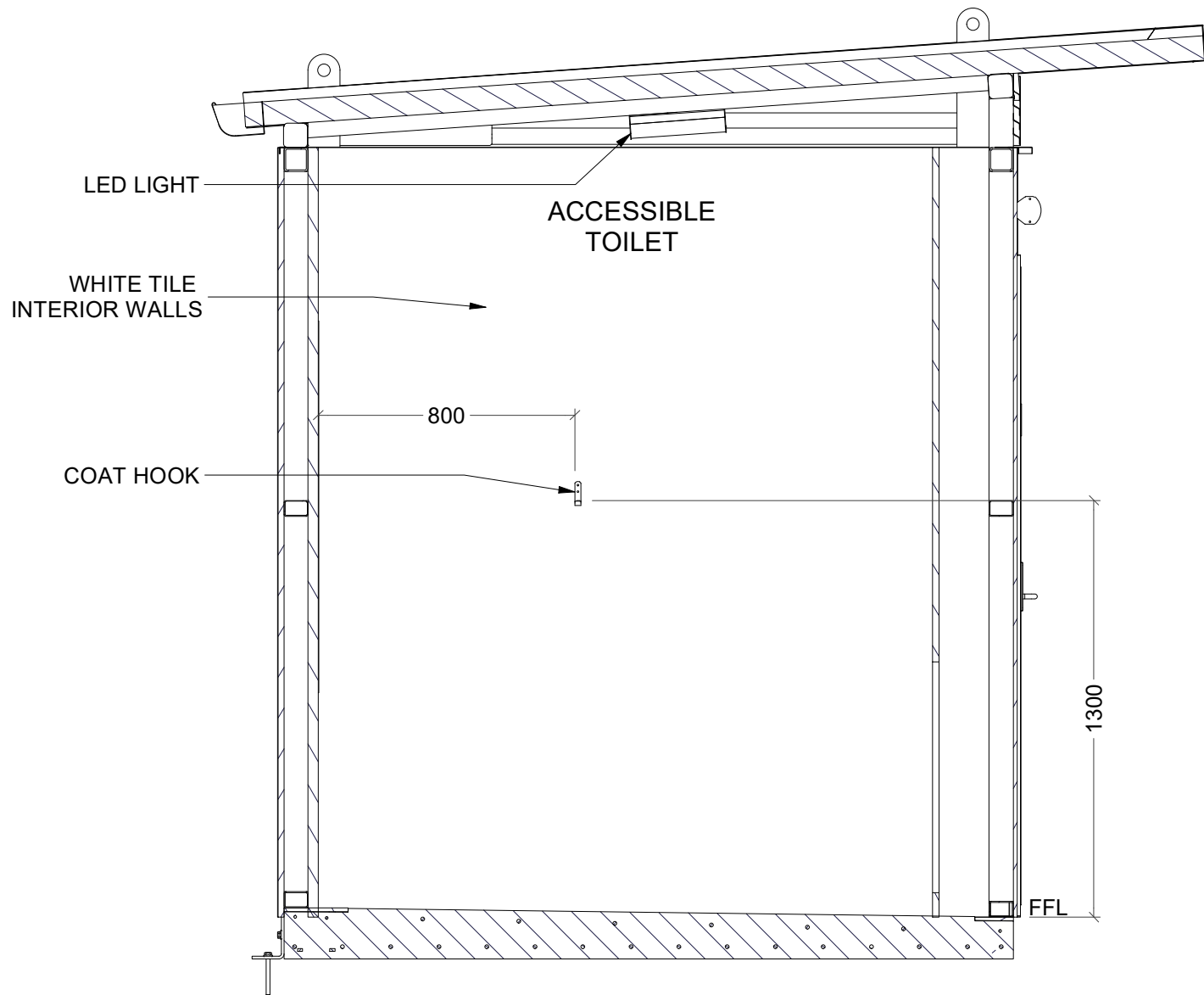
USA - Exeloo CORP
 1015 Nipomo St, Suite 100,
 San Luis Obispo, CA 93401
 PO Box 13310, San Luis Obispo, CA 93406
 T: (800) 676-5290 or 1-800-303-3506

| | | | | | |
|---|-----------------|---------------------|---------------------------------|-------------------------|--------------------------------------|
| Description: JUPITER MANUAL 52AD STANDARD & ACCESSIBLE DRY VAULT, MITCHELL'S BAY, GREY DISTRICT COUNCIL, NZ | | Proj: | Units: | Rev: 1-A | Rev Date: 8/02/2024 |
| Tolerance: | Size: A3 | Checked by: | Approved by: | | |
| Material: | Finish: | Drawn by: DL | Creation Date: 4/09/2019 | Sheet No: 10/ 13 | Drawing No: AS-JUP52AD-DV-SH6 |

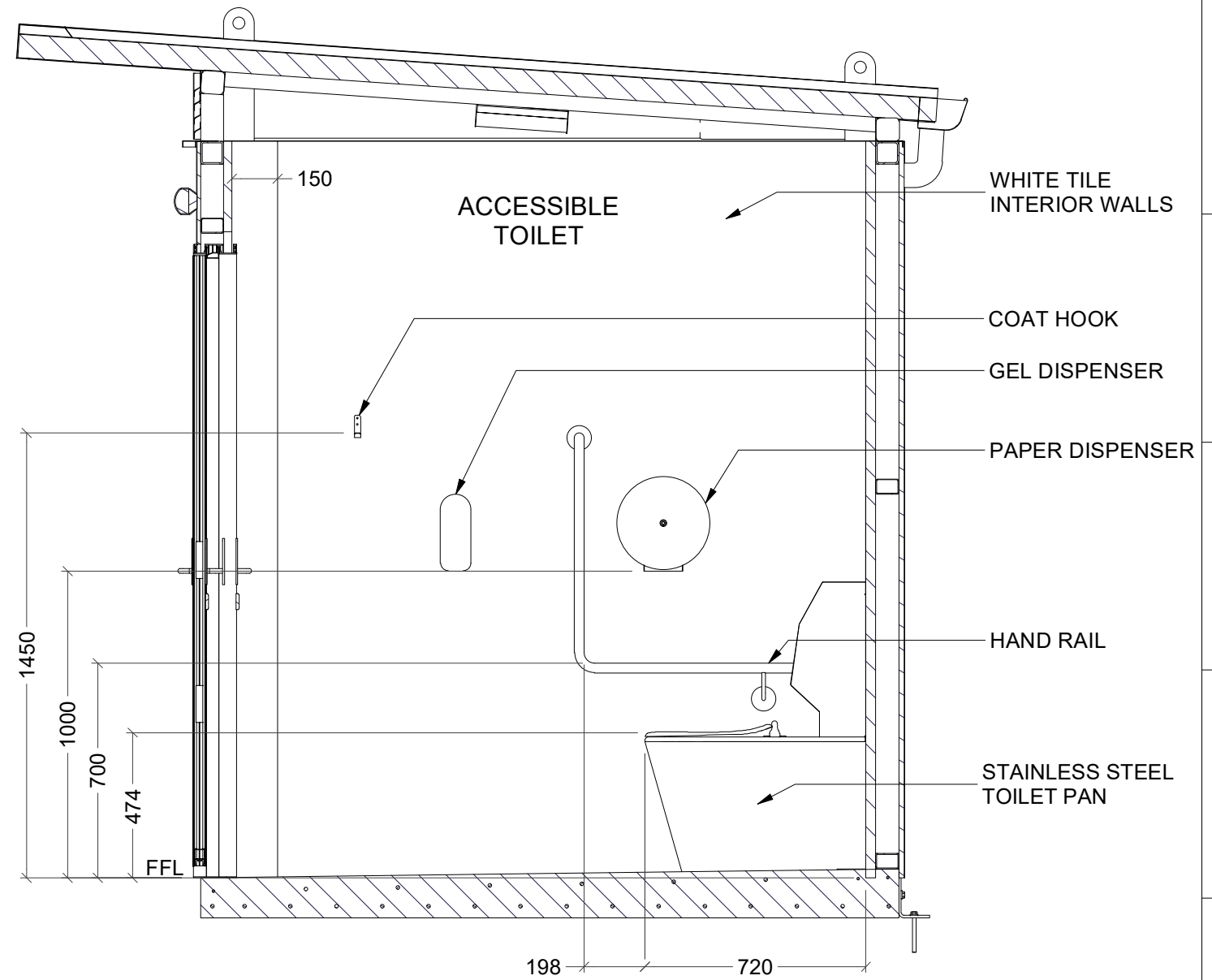
SCALE SPECIFIED IN VIEW LABEL

SPECIFICATION SUBJECT TO CHANGE WITHOUT NOTICE

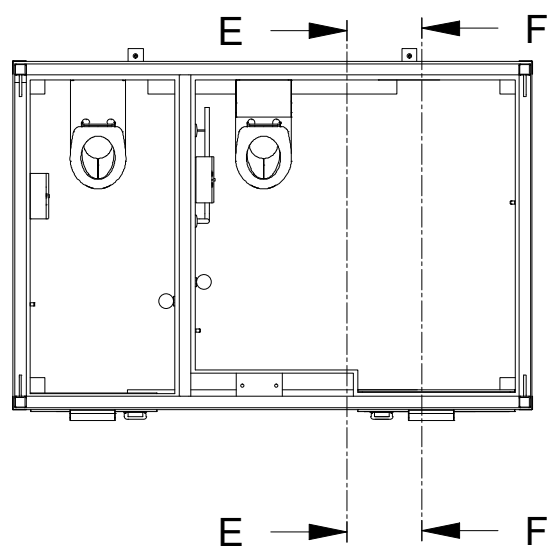
E-E (1 : 20)



F-F (1 : 20)

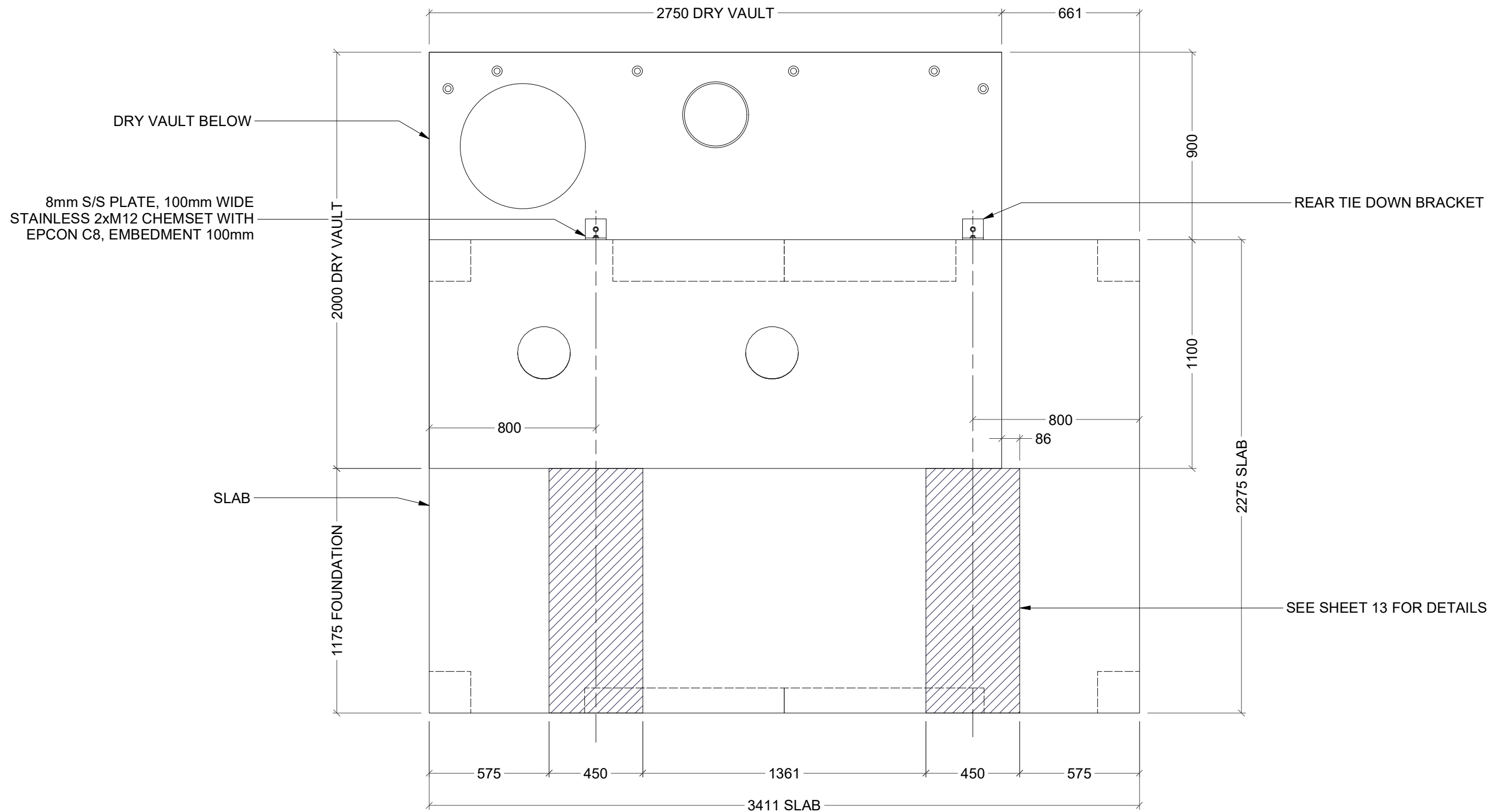


PLAN



| | | | | | |
|--|---|---|---|-----------------|----------------------------|
| | New Zealand - Exeloo LTD 20-22 Paramount Drive, Henderson, 0610 PO Box 84-120, Westgate 0657 Auckland, New Zealand T: (0800) 393 566 | Australia - Exeloo PTY 204/25 Berry Street, North Sydney, NSW 2060 PO Box 1412 Wahroonga, NSW 2076 T: (800) 501 069 | USA - Exeloo CORP 1015 Nipomo St, Suite 100, San Luis Obispo, CA 93401 PO Box 13310, San Luis Obispo, CA 93406 T: (800) 676-5290 or 1-800-303-3506 | | |
| | Description: JUPITER MANUAL 52AD STANDARD & ACCESSIBLE DRY VAULT, MITCHELL'S BAY, GREY DISTRICT COUNCIL, NZ | | | | |
| Material: | Finish: | Proj: | Units: | Rev: 1-A | Rev Date: 8/02/2024 |
| Tolerance: | Size: A3 | Drawn by: DL | Creation Date: 4/09/2019 | Checked by: | Approved by: |
| Sheet No.: 11/ 13 | Drawing No.: AS-JUP52AD-DV-SH6 | SCALE SPECIFIED IN VIEW LABEL | | | |
| SPECIFICATION SUBJECT TO CHANGE WITHOUT NOTICE | | | | | |

FOUNDATION PLAN (1:20)



New Zealand - Exeloo LTD
 20-22 Paramount Drive, Henderson, 0610
 PO Box 84-120, Westgate 0657
 Auckland, New Zealand
 T: (0800) 393 566

Australia - Exeloo PTY
 204/25 Berry Street, North Sydney, NSW 2060
 PO Box 1412 Wahroonga, NSW 2076
 T: (800) 501 069

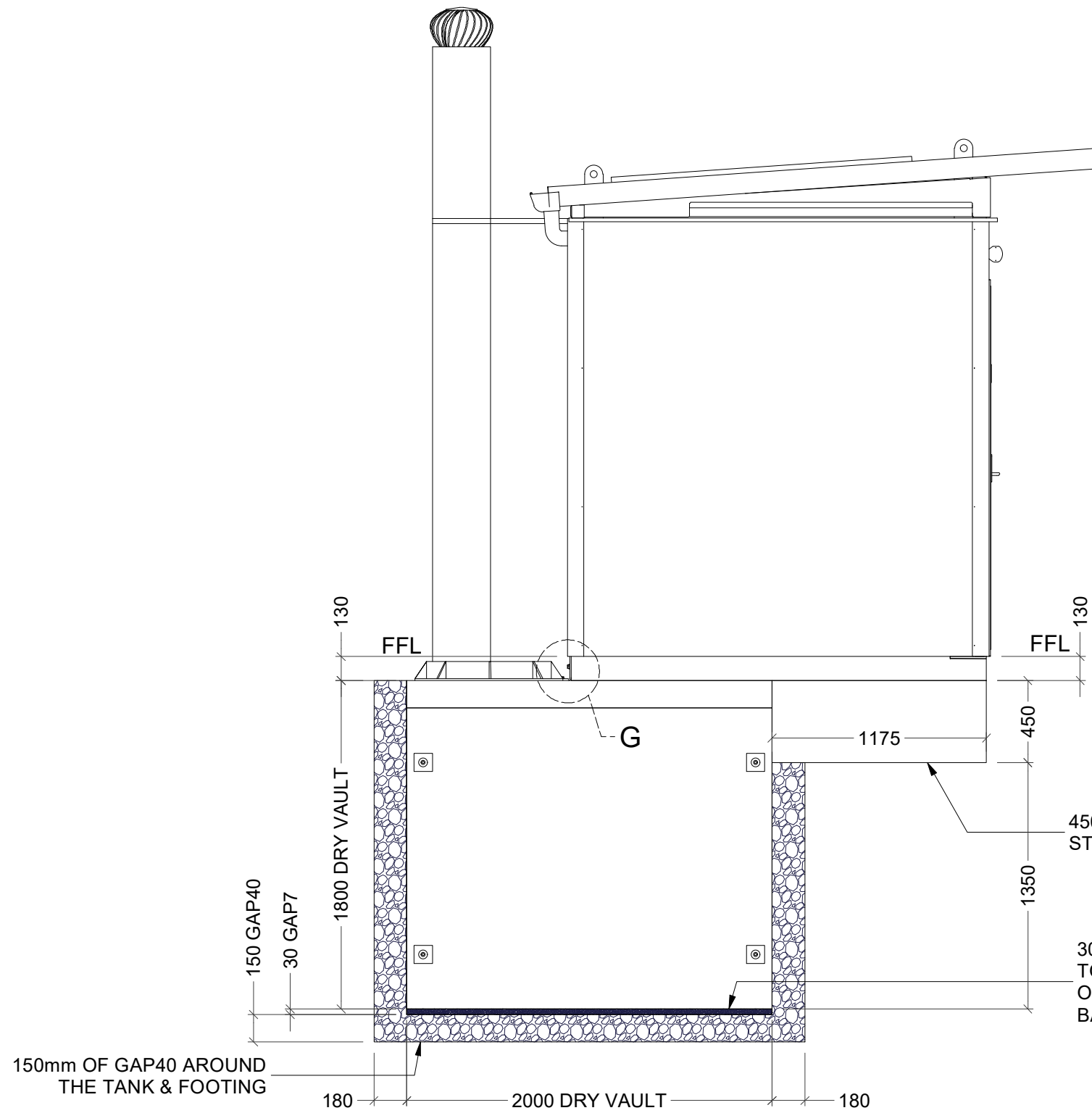
USA - Exeloo CORP
 1015 Nipomo St, Suite 100,
 San Luis Obispo, CA 93401
 PO Box 13310, San Luis Obispo, CA 93406
 T: (800) 676-5290 or 1-800-303-3506

| | | | | | |
|---|--------------------|------------------------|------------------------------------|-----------------------------|--|
| Description: JUPITER MANUAL 52AD STANDARD & ACCESSIBLE DRY VAULT, MITCHELL'S BAY, GREY DISTRICT COUNCIL, NZ | | Proj: | Units: | Rev: 1-A | Rev Date: 8/02/2024 |
| Tolerance: | Size: A3 | Checked by: | Approved by: | | |
| Material: | Finish: | Drawn by: DL | Creation Date: 4/09/2019 | Sheet No.: 12/ 13 | Drawing No.: AS-JUP52AD-DV-SH6 |

SCALE SPECIFIED IN VIEW LABEL

SPECIFICATION SUBJECT TO CHANGE WITHOUT NOTICE

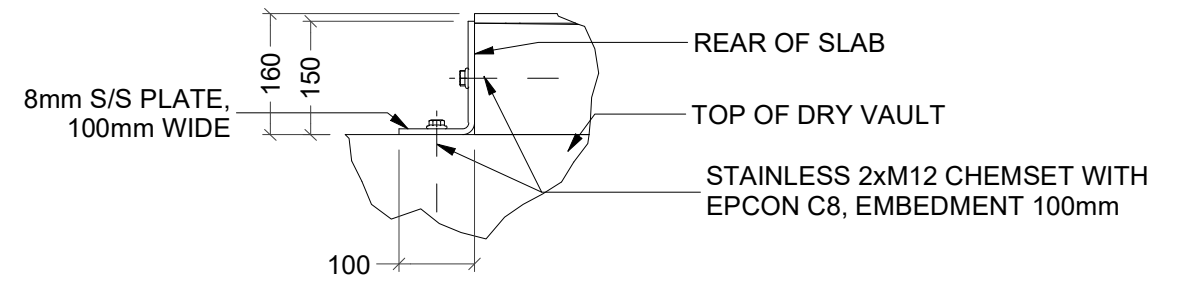
SIDE VIEW - FOUNDATION (1:30)



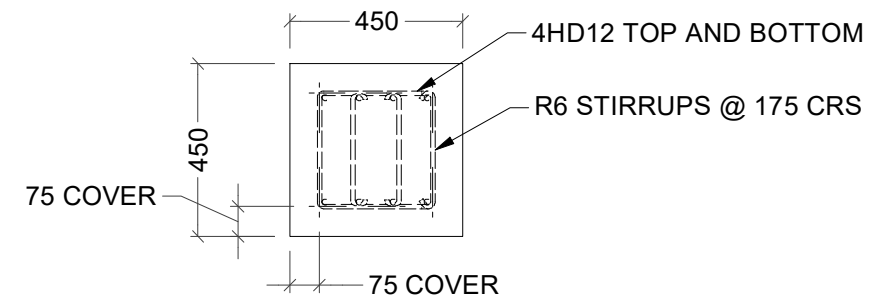
FOUNDATION

1. GROUND CONDITIONS TO BE AT LEAST CAPABLE OF AN ALLOWABLE WORKING LOAD (DEAD AND LIVE) STRENGTH OF 100kpa
2. GROUND BEAM TO BE FILLED WITH 32 Mpa 28 DAY STRENGTH CONCRETE FOR 3 DAYS BEFORE PLACING EXELOO UNIT INTO POSITION

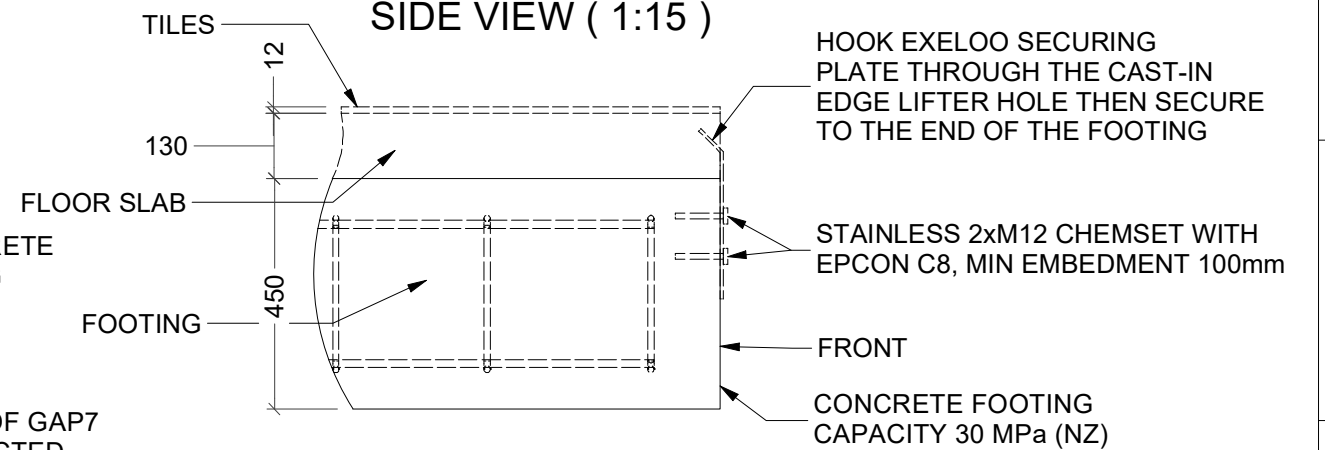
G (1 : 10)



FOOTING DETAIL OPTION 1



SIDE VIEW (1 : 15)



New Zealand - Exeloo LTD
 20-22 Paramount Drive, Henderson, 0610
 PO Box 84-120, Westgate 0657
 Auckland, New Zealand
 T: (0800) 393 566

Australia - Exeloo PTY
 204/25 Berry Street, North Sydney, NSW 2060
 PO Box 1412 Wahroonga, NSW 2076
 T: (800) 501 069

USA - Exeloo CORP
 1015 Nipomo St, Suite 100,
 San Luis Obispo, CA 93401
 PO Box 13310, San Luis Obispo, CA 93406
 T: (800) 676-5290 or 1-800-303-3506

| | | | | |
|---|-------------|----------------------------------|-----------------------------|-------------------------------|
| Description: JUPITER MANUAL 52AD STANDARD & ACCESSIBLE DRY VAULT, MITCHELL'S BAY, GREY DISTRICT COUNCIL, NZ | | Proj: | Units: 1-A | Rev Date: 8/02/2024 |
| Tolerance: DL | Size: A3 | Checked by: | Approved by: | |
| Material: | Finish: | Drawn by: DL | Creation Date: 4/09/2019 | Sheet No: 13/ 13 |
| | | Drawing No: AS-JUP52AD-DV-SH6 | | |

SCALE SPECIFIED IN VIEW LABEL

SPECIFICATION SUBJECT TO CHANGE WITHOUT NOTICE